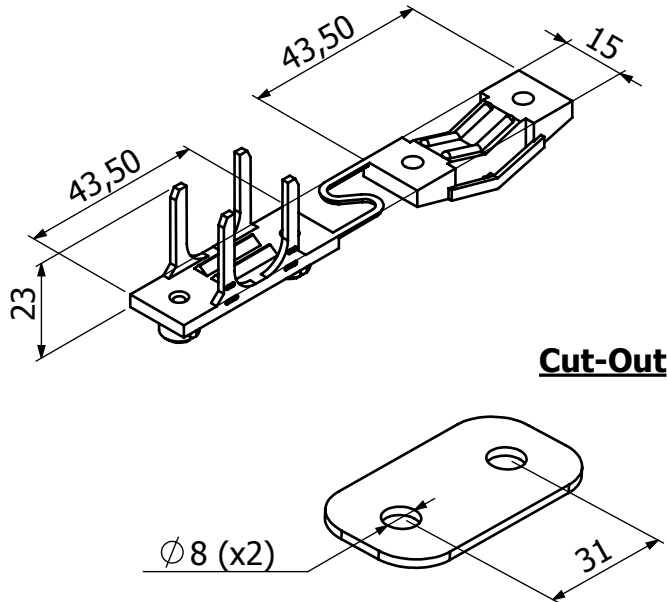


**HL100D**

Item Code: 07003803



All dimensions in "mm"

Specifications	EN Standards	UL/CSA Standards
Operating Temperature	T125	T100
Usable Cables	3x0,75-3x4,00 mm <sup>2</sup>	PVC jacket, 5 conductors Rubber jacket, 4 conductors Silicone jacket, 2 conductors
Cable Size	Ø13mm max.	Ø6mm min.
<b>Components</b>		<b>Material</b>
Body		PA 6-V2, Black
Screws		N/A
<b>Approvals</b>		<b>Standards</b>
VDE	DIN EN 60598-1 :2015-10; EN 60598-1:2015	
UL CSA	UL 635 - Insulating Bushings	